

# Tissue Culture



# Cell Scrapers & Lifters



## FEATURES

### Cell Scrapers

- \* Available in two sizes: 18cm and 25cm
- \* Non-pyrogenic
- \* Polyethylene
- \* Pivoting blade makes precise cutting and scraping movements
- \* Appropriate for a variety of cell culture vessels
- \* The uniquely designed handle and blade reduce cell damage during the harvesting process
- \* Pre-sterilized and individually wrapped in peel-open packaging

### Cell Lifters

- \* Used with dishes and cell culture clusters for quick removal of cell layers
- \* Blade Length: 2.0cm; Handle Length: 16cm
- \* Gamma radiation sterilized and individually wrapped
- \* Disposable lifters quickly remove cell layers
- \* The one-piece design and chiseled blade provide improved control while minimizing damage during the cell removal process
- \* Non-pyrogenic
- \* Polyethylene



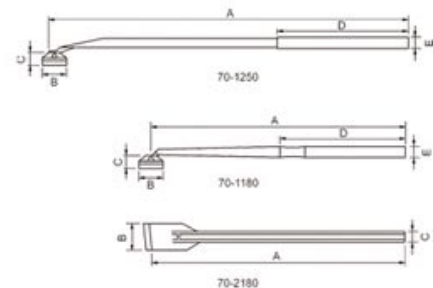
Anti-skidding

## ORDERING INFORMATION

Cat #	Name	Handle Length	Sterile	Unit
70-1180	Cell Scraper	18cm	Yes	100 Pieces/case
70-1250	Cell Scraper	25cm	Yes	100 Pieces/case
70-2180	Cell Lifter	18cm	Yes	100 Pieces/case

## PRODUCT PARAMETER

Cat #	Description	Dimensions=mm				
		A	B	C	D	E
70-1250	Cell Scraper	250.0	18.0	9	89.0	O.D. 7.7
70-1180	Cell Scraper	180.0	18.0	9	85.0	O.D. 7.4
70-2180	Cell Lifter	180.0	20.0	7.4	-	-



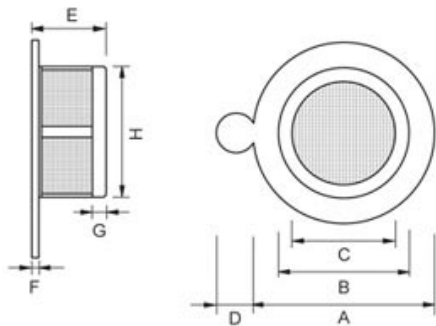
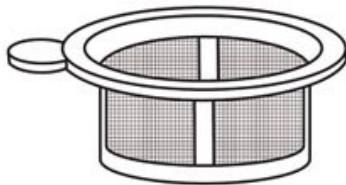
\* See our full line of Petri Dishes on page 40.

# Cell Strainers



## FEATURES

- \* Strong nylon mesh for optimal performance in a variety of applications
- \* Evenly spaced mesh pores providing consistent and reliable results
- \* Polypropylene frame features a molded tab for easy handling
- \* Conveniently accessible in individual packaging with gamma radiation sterilization
- \* Fits perfectly into 50ml Biologix Centrifuge Tubes
- \* Different colors for easy pore size identification



## ORDERING INFORMATION

Cat #	Size	Package	Color	Sterile	Unit
15-1040	40µm	Individual	Purple	Yes	50 Pieces/case
15-1070	70µm	Individual	Orange	Yes	50 Pieces/case
15-1100	100µm	Individual	Green	Yes	50 Pieces/case

## PRODUCT PARAMETER

Cat #	Description	Dimensions=mm							
		A	B	C	D	E	F	G	H
15-1040	Cell Strainers	O.D. 35.7	O.D. 25.7	O.D. 20.6	O.D. 7.8	14.4	1.5	2.8	O.D. 25.7



**Centrifuge Tubes**

For more details,  
please see page 7-8



**Cryogenic Vials**

For more details,  
please see page 19-21



**Liquid Handling**

For more details,  
please see page 27-35